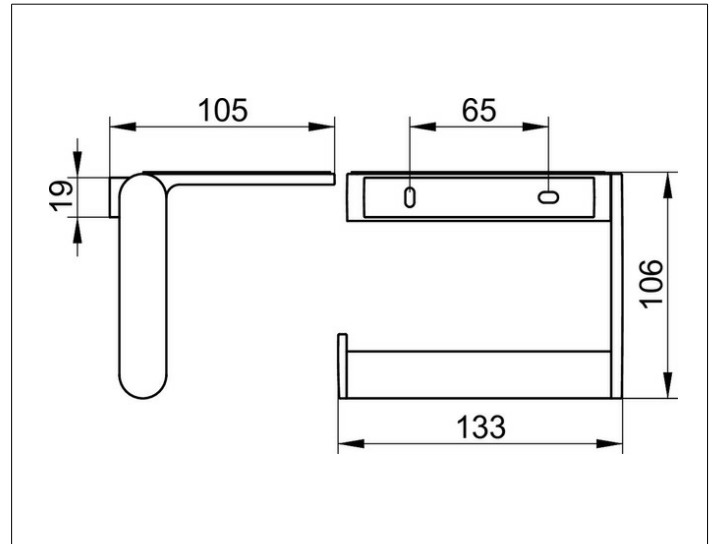


**Plan**  
**14973370000 Toilet paper holder**

**PRODUCT**



**DRAWING**



**PRODUCT ATTRIBUTES**

with shelf, open form  
for 100/120 mm wide paper rolls  
with anti-slip insert in grey

**SURFACE**

black matt